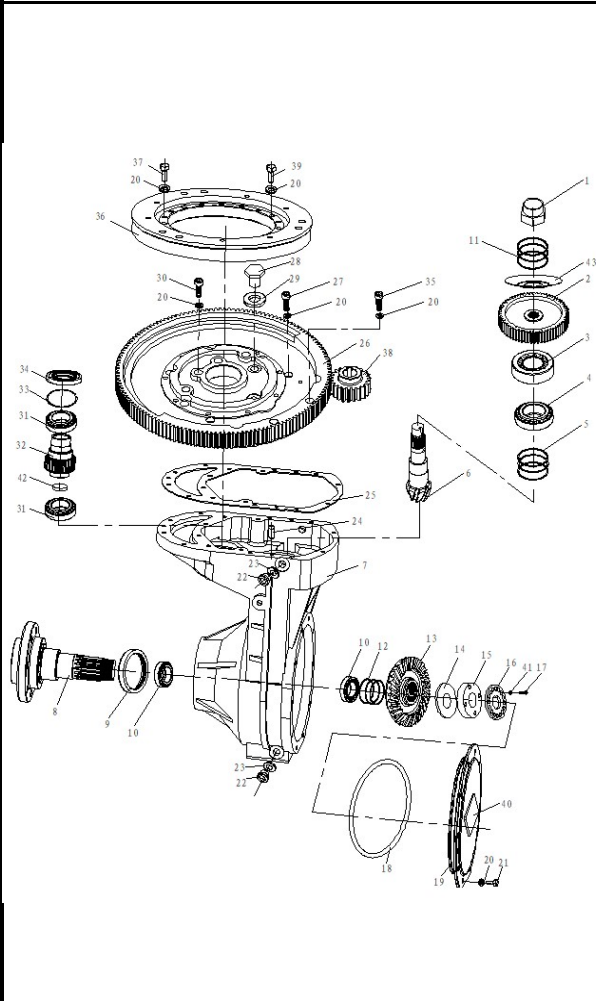
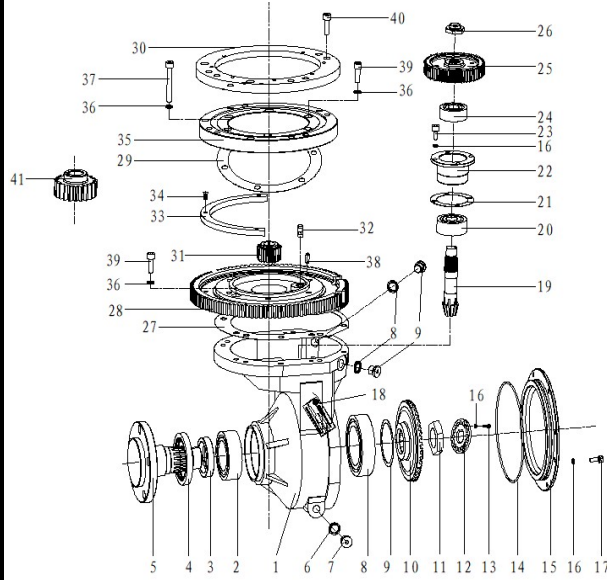


271598501002变速箱(FE3R12)/Gearbox (FE3R12)



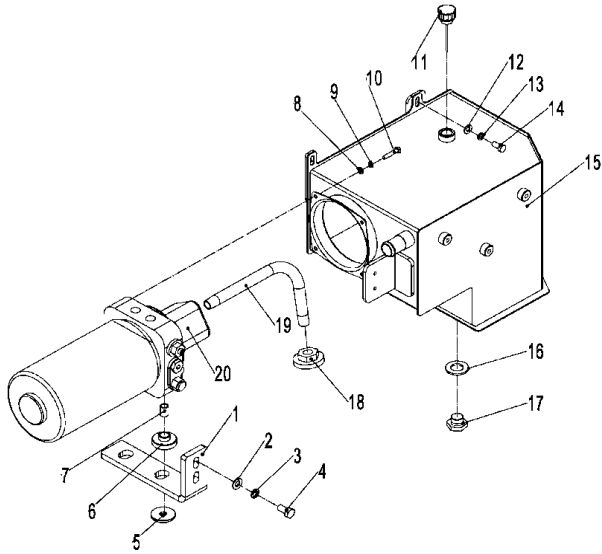
序号/NO	编码/SN	Name	名称	数量/QTY	备注/Remark
1	275214021002	Lock nut QDCS25.006	锁紧螺母QDCS25.006	1	
2	271514021001	Driven gear DDS35LD.006	从动齿轮DDS35LD.006	1	
3	910700600002	Bearing 30206	轴承GB/T297-30206	1	
4	271514021102	Bearing 33206	轴承GB/T297-33206	1	
5	275214021004	Adjustable pad DQS15.011	调整垫DQS15.011	3	
6	271514021103	Cone gear shaft DDS35.008	锥齿轴DDS35.008	1	
7	271514021104	Box DDS35LD.001	箱体DDS35LD.001	1	
8	271514021005	Half axis DDS35LD.007	半轴DDS35LD.007	1	
9	271514021006	Oil seal TC 90x115x12	油封TC90x115x12	1	
10	275214021028	Bearing 33011 GB/T 297	轴承GB/T297-33011	2	
11	271514021007	Adjustable pad DDS30.011	调整垫DDS30.011	3	
12	271514021008	Adjustable pad YDS45.026	调整垫YDS45.026	3	
13	271514021009	Helical bevel gear DDS30.012	螺旋锥齿轮DDS30.012	1	
14	271514021010	Locating sleeve QDCS10.008	定位套QDCS10.008	1	
15	271514021011	lock nut QDCS10.009	锁紧螺母QDCS10.009	1	
16	271514021012	Lock washer QDCS10.014	锁紧垫圈QDCS10.014	1	
17	910200200033	Screw M6x12	螺钉GB/T70.1-M6x12	2	
18	271514021013	O-ring 195x5.3	O型圈 GB/T 3452.1-195x5.3	1	
19	271514021014	Bottom cap DDS35LD.008	底盖DDS35LD.008	1	
20	910400500006	Spring washerGB/T 93-1987-8	垫圈GB/T93-8	31	
21	910100300022	Bolt M8x20	螺栓GB/T5783-M8x20	8	
22	271514021015	Screw JB/ZQ4444-M14x1.5	螺塞JB/ZQ4444-M14x1.5	2	
23	910800900004	Washer14	垫圈JB/T 982-14	2	
24	271514021016	Pin GB/T119.1-6x16	圆柱销GB/T119.1-6x16	2	
25	271514021017	Paper washer DDS35.004	纸垫DDS35.004	1	
26	271514021018	Case cover DDS35.002	箱盖DDS35.002	1	
27	910200200057	Screw GB/T 70.1-M8x20	螺钉 GB/T 0.1-M8x20	8	
28	271514021019	Vent plug assembly DDS15.903	通气塞组件DDS15.903	1	
29	910800900006	Washer10	组合密封垫圈JB/T982-10	1	
30	910200200059	ScrewM8x30	螺钉GB/T70.1-M8x30	4	
31	275214021007	Bearing 16007	轴承GB/T276-16007	2	

271598501004 变速箱(FE3R08-10)/Gearbox (FE3R08-10)



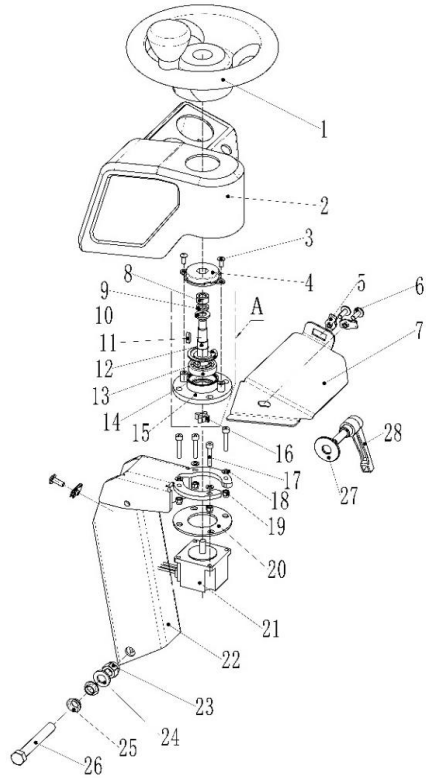
序号/NO	编码/SN	Name	名称	数量/QTY	备注/Remark
1	271114021001	Box DDS25ALD.001	箱体DDS25ALD.001	1	
2	271114021102	Bearing GB/T297-33010	轴承GB/T297-33010	1	
3	271114021003	Bush DDS25.011	衬套DDS25.011	1	
4	271114021004	Oil seal FB65x85x10 GB/T 9877	油封FB65x85x10 GB/T 9877	1	
5	271114021005	Main shaft components DDS25ALD.010G1	半轴组件DDS25ALD.010G1	1	
6	910800900004	Washer14	垫圈JB/T982-14	3	
7	271514021015	Screw JB/ZQ4444-M14x1.5	螺塞JB/ZQ4444-M14x1.5	3	
8	910700600021	BearingGB/T297-32013	轴承GB/T297-32013	1	
9	271114021006	Adjustable pad HDCSB30.010	调整垫HDCSB30.010	3	
10	271114021007	Helical bevel gear 18EL100010	螺旋锥齿轮18EL100010	1	
11	271114021008	Lock nut DDS25ALD.011	锁紧螺母DDS25ALD.011	1	
12	271114021009	Lock washer DDS25ALD.012	锁紧垫圈DDS25ALD.012	1	
13	910200200035	Screw GB/T70.1-M6x12	内六角圆柱头螺钉GB/T70.1-M6x12	2	
14	201098520016	O-ring GB/T 452.1-160x2.65	O形圈 GB/T 452.1-160x2.65	1	
15	271114021010	Side coverDDS25.013	下侧盖DDS25.013	1	
16	910400500005	Spring washer GB/T93-6	垫圈GB/T93-6	15	
17	910100300010	Bolt GB/T5783-M6x16	螺栓GB/T5783-M6x16	9	
18	271114021011	Lables DCS25h.002	标牌DCS25h.002	1	
19	271114021012	Cone gear shaft 18EL100013	锥齿轴18EL100013	1	
20	271114021013	Bearing 32304(NSK)	圆锥滚子轴承32304(进口NSK)	1	
21	271114021014	Adjustable pad DDS25.015	调整垫DDS25.015	3	
22	271114021015	Bearing pedestal DDS25.009	轴承座DDS25.009	1	
23	910200200035	Screw GB/T70.1-M6x16	螺钉GB/T70.1-M6x16	4	
24	271114021016	Bearing 32204(NSK)	圆锥滚子轴承32204 (进口NSK)	1	
25	271114021017	Driven gear DDS25ALD.008	从动齿轮DDS25ALD.008	1	
26	271114021018	Lock nut DDS25.020	锁紧螺母DDS25.020	1	
27	271114021019	Paper pad DDS25ALD.006	纸垫DDS25ALD.006	1	
28	271114021020	Case cover DDS25LD1	箱盖DDS25LD1	1	
29	271114021021	Paper pad DDS25ALD.013	纸垫DDS25ALD.013	1	
30	271114021022	Transition plate DDS25LD1.003	过渡盘DDS25LD1.003	1	
31	271114021023	Input gear DDS25.007S	输入齿轮DDS25.007S	1	

271598501005起升电机及油箱安装/Lifting motor and oil tank installation



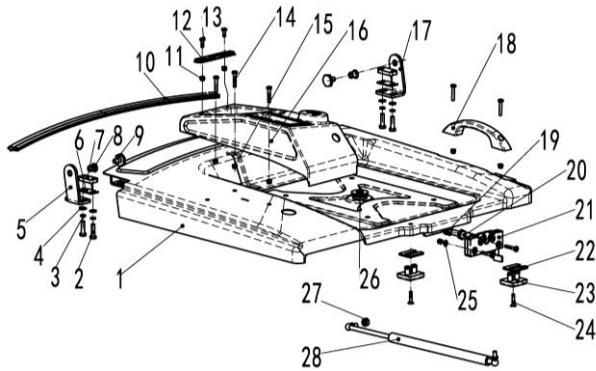
序号/NO	编码/SN	Name	名称	数量/QTY	备注/Remark
1	271519021008	Mounting plate (lifting motor)	安装板 (起升电机)	1	
2	910400100007	Flat washer GB97.1-10-200 HV	平垫圈GB97.1-10-200HV	4	
3	910400500007	Spring washer GB93-10	弹簧垫圈GB93-10	4	
4	910100300036	Bolt GB5783 M10x25-8.8	螺栓GB5783-M10x25-8.8	4	
5	255032520002	Gasket phi phi 40 x 11 x4	垫圈φ40xφ11x4	2	
6	255032520003	Damping pad	减振垫	2	
7	271519021009	Strengthen the set of 13 x 10 x18 φ	加强套Φ13xΦ10x18	2	
8	910400100005	Flat washer GB97.1-6-200 HV	平垫圈GB97.1-6-200HV	4	
9	910400500005	Spring washer GB93-6	弹簧垫圈GB93-6	4	
10	910100300011	Bolt GB5783 M6x20-8.8	螺栓GB5783-M6x20-8.8	4	
11	271519010002	Filler cap	加油口盖	1	
12	910400100006	The flat washer GB97.1-8-200 HV	平垫圈GB97.1-8-200HV	2	
13	910400500006	Spring washer GB93-8	弹簧垫圈GB93-8	2	
14	910100300020	Bolt GB5783 M8x16-8.8	螺栓GB5783-M8x16-8.8	2	
15	271519011001	Tank solders	油箱焊合	1	
16	910800900001	Combined washer JB982-20	组合垫圈JB982-20	1	
17	255019020015	Drain plug M20x1.5	放油塞M20x1.5	1	
18	271598532501	The filter	过滤器	1	
19	271532520001	Suction tubing	吸油管	1	
20	271532510001	Oil pump motor	油泵电机	1	

转向装置/Steering device



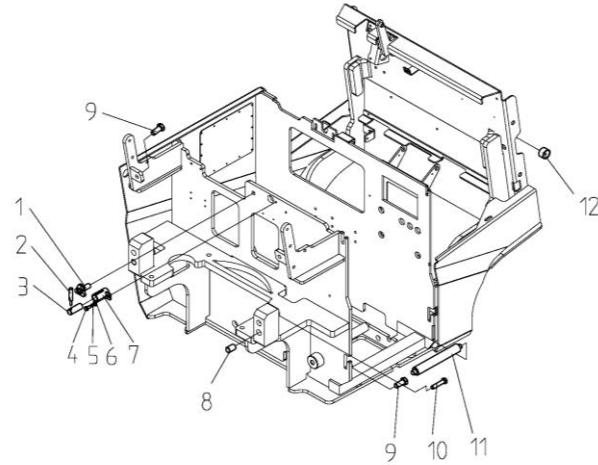
序号/NO	编码/SN	名称	数量/QTY	备注/Remark
1	271531511020	Steering wheel	1	方向盘Φ202
2	271531521010	Instrument mask	1	仪表罩
3	910200300012	Screw GB70.2-M5x12-4.8	2	螺钉GB70.2-M5x12-4.8
4	271531511021	Rotating damper	1	旋转阻尼器
5	940400400001	Nut M6	3	簧片螺母M6
6	941100100009	Screw M6x12-8.8	3	螺钉M6x12-8.8
7	271531521011	Cover plate	1	仪表罩下封板
8	910300100007	Nut GB6170-M10-10	1	螺母GB6170-M10-10
9	910400500007	Spring washer GB93-10	1	弹簧垫圈GB93-10
10	910400100007	washer GB97.1-10-200HV	1	平垫圈GB97.1-10-200HV
11	910600800002	flat key GB1096-4x12-A	1	平键GB1096-4x12-A
12	271531523001	connecting shaft	1	过渡轴(步进电机)
13	910401400011	Retaining ring GB893.1-37	1	孔用弹性挡圈GB893.1-37
14	910700200045	Bearing GB276-61904-2RS	1	轴承GB276-61904-2RS
15	271531512010	Bearing seat	1	轴承座焊合件
16	271531522002	link block	1	连接块(步进电机)
17	910200200026	Screw GB70.1-M5x30-8.8	4	螺钉GB70.1-M5x30-8.8
18	910400100004	washer GB97.1-5-200HV	4	平垫圈GB97.1-5-200HV
19	910300500002	Nut GB889.1-M5-10	4	螺母GB889.1-M5-10
20	271531522025	shim	2	垫片(步进电机)
21	921800200004	Potentiometer TY1204-1	1	电位器TY1204-1
22	271531512001	Direction string welding	1	转向管柱焊合(电位计)
23	910300500006	Nut GB889.1 - M12-10	1	螺母GB889.1-M12-10
24	910400100008	washer GB97.1-12-200HV	1	平垫圈GB97.1-12-200HV
25	940500200028	Wear sleeve Φ12xΦ14x7-SF-1	2	复合套(带肩)Φ12xΦ14x7-SF-1
26	910100100056	Bolt GB5782-M12x90-8.8	1	螺栓GB5782-M12x90-8.8
27	910400200004	washer GB96.1-10-200HV	1	大垫圈GB96.1-10-200HV
28	271531510006	Adjustable handle	1	可调手柄
A	271531513003	connecting shaft assembly	1	过渡轴总成(电位计)

电瓶箱盖安装/Battery cover and installation



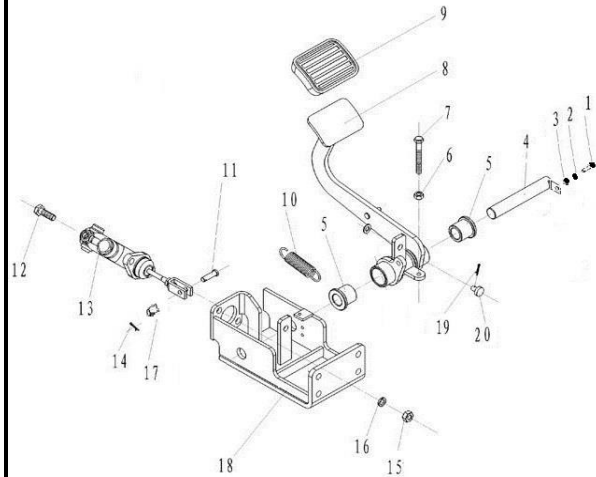
序号/NO	编码/SN	Name	名称	数量/QTY	备注/Remark
1	271521011002	Box cover welding (12)	箱盖焊接(12)	1	FE3R10-12N
	271121011002	Box cover welding (08)	箱盖焊接(08)	1	FE3R08N
2	910100300024	Bolt GB5783 M8x30-8.8	螺栓GB5783-M8x30-8.8	4	
3	910400100006	The flat washer GB97.1-8-200 HV	平垫圈GB97.1-8-200HV	4	
4	910400500006	Spring washer GB93-8	弹簧垫圈GB93-8	4	
5	271521021008	Hinge plate (right)	铰链板(右)	1	
6	271521021015	Adjust the pad	调整垫	2	
7	271521021007	Fixed plate (cover holder)	固定板(顶盖丝座)	2	
8	940500200028	Composite set of 12 x (shoulder) ΦΦ 14x7-SF-1	复合套(带肩)Φ12xΦ14x7-SF-1	2	
9	271521021043	Hinge bolts M10x19	铰制螺栓M10x19	2	
10	255022521093	Sealing strip (180 °)	密封条(180°)	0.8m	
11	910300100004	Nut GB6170 - M5-10	螺母GB6170-M5-10	2	
12	255021020067	Folder	文件夹	4	
13	910200500040	Screw GB818 M5x16-4.8	螺钉GB818-M5x16-4.8	2	
14	910200500056	Screw GB818 M6x35-4.8	螺钉GB818-M6x35-4.8	7	
15	910300500003	Nut GB889.1 - M6-10	螺母GB889.1-M6-10	7	
16	271521021003	Top cover	顶盖装饰罩	1	
17	271521021009	Hinge plate (left)	铰链板(左)	1	
18	255021020020	The shake handhandle	拉手	1	
19	910300500006	Nut GB889.1 - M12-10	螺母GB889.1-M12-10	1	
20	255021020052	Locking tongue (roof)	锁舌(顶盖)	1	
21	255021010010	Lid lock	顶盖锁	1	
22	255021020071	Adjustment pad (cushion pad)	调整垫(缓冲垫)	2	
23	255021020068	Cushion	缓冲垫	2	
24	910200400019	Screw GB70.3 M6x25-8.8	螺钉GB70.3-M6x25-8.8	2	
25	910400100005	Flat washer GB97.1-6-200 HV	平垫圈GB97.1-6-200HV	2	
26	255021020046	Skirts Φ 35	保护圈Φ35	1	
27	910300100006	Nut GB6170 M8-10	螺母GB6170-M8-10	2	
28	940400100028	Gas spring 500N (D620)	气弹簧500N(D620)	1	

车架安装/Frame installation



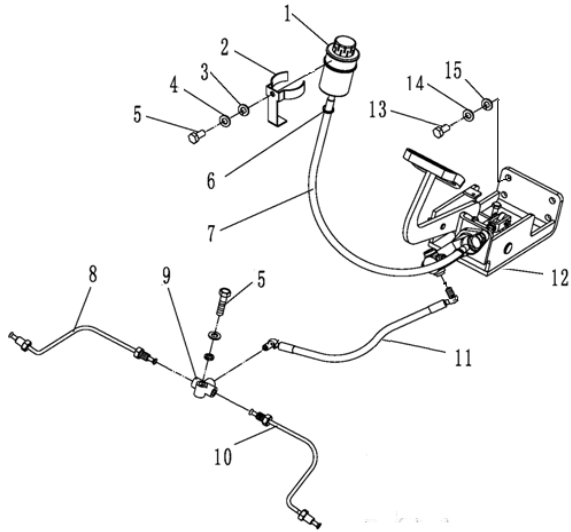
序号/NO	编码/SN	Name	名称	数量/QTY	备注/Remark
A	271521511001	Frame welded	车架焊合	1	FE3R10-12N
B	271121511001	Frame welded	车架焊合	1	FE3R08N
1	255021020059	Star handle	星形把手	1	
2	255021520100	Stir bar	拨杆	1	
3	255021520099	Insurance sales	保险销	1	
4	910100300020	Bolt GB5783 M8x16-8.8	螺栓GB5783-M8x16-8.8	1	
5	910400500005	Spring washer GB93-6	弹簧垫圈GB93-6	1	
6	910400100006	The flat washer GB97.1-8-200 HV	平垫圈GB97.1-8-200HV	1	
7	271521511011	Valve stem joint	阀杆座焊合	1	
8	281221521092	Round steel	圆钢	2	
9	910100300069	Bolt GB5783 M16x35-8.8	螺栓GB5783-M16x35-8.8	4	
10	910100300055	Bolt GB5783 M12x55-8.8	螺栓GB5783-M12x55-8.8	2	
11	271521521091	roller	滚轴	6	
12	940500100046	Composite set of 30 x Φ 34 x20 - SF-1	复合套 Φ 30x Φ 34x20-SF-1	2	
13	255021020059	Star handle	星形把手	1	

脚制动操纵/Foot brake control



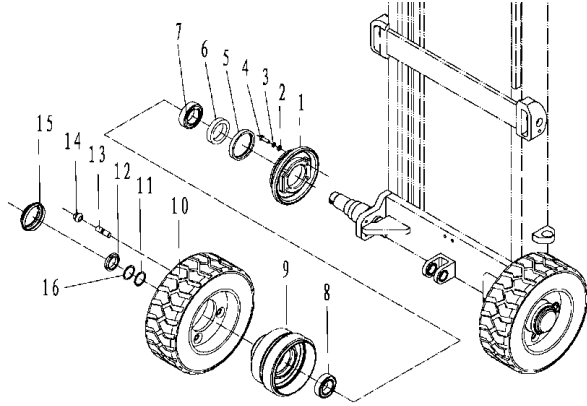
序号/NO	编码/SN	Name	名称	数量/QTY	备注/Remark
A	271511511001	Foot brake assembly	脚制动总成	1	包含/Inc.1-20
1	910100300009	Bolt GB5783 M6x12-8.8	螺栓GB5783-M6x12-8.8	1	
2	910400500005	Spring washer GB93-6	弹簧垫圈GB93-6	1	
3	910400100005	Flat washer GB97.1-6-200 HV	平垫圈GB97.1-6-200HV	1	
4	255011510003	With trunnion Φ 16 x135	带耳轴Φ16x135	1	
5	940500100006	Composite set of pin pin 16 x 16 x15-SF-1	复合套φ16xφ18x15-SF-1	2	
6	910300100006	Nut GB6170 M8-10	螺母GB6170-M8-10	1	
7	910100300025	Bolt GB5783 M8x35-8.8	螺栓GB5783-M8x35-8.8	1	
8	271511511005	Pedal welded	踏板焊合	1	
9	255011520013	Rubber pedal	橡胶踏板	1	
10	275211521013	Tension spring	拉簧	1	
11	910600700033	Pin GB882 - B10x30x3. 2	销轴GB882-B10x30x3.2	1	
12	910100300037	Bolt GB5783 M10x30-8.8	螺栓GB5783-M10x30-8.8	2	
13	271511512001	Brake master cylinder	制动总泵	1	
14	910600600026	Cotter pin GB91-3.2 x20	开口销GB91-3.2x20	1	
15	910300100007	Nut GB6170 - M10-10	螺母GB6170-M10-10	2	
16	910400500007	Spring washer GB93-10	弹簧垫圈GB93-10	2	
17	940500100048	Composite set of 10 x pin pin 12 by 8-SF-1	复合套φ10xφ12x8-SF-1	1	
18	271511511004	Foot brake bracket welding	脚制动支架焊合	1	
19	910600600017	Cotter pin x16 GB91 2.5	开口销GB91-2.5x16	1	
20	255011520010	Cushion	缓冲垫	1	

脚制动操纵管路/Foot brake control line



序号/NO	编码/SN	Name	名称	数量/QTY	备注/Remark
1	275011520020	Brake oil cup	制动油杯	1	
2	272011520010	Stand (oil cup)	支架(油杯)	1	
3	910400100006	The flat washer GB97.1-8-200 HV	平垫圈GB97.1-8-200HV	2	
4	910400500006	Spring washer GB93-8	弹簧垫圈GB93-8	2	
5	910100300024	Bolt GB5783 M8x30-8.8	螺栓GB5783-M8x30-8.8	1	
6	911000600001	Hose hoops QC/T390 - (11-14)	喉箍QC/T390-(11-14)	2	
7	900200301003	Rubber hose $\Phi 8 \times \Phi 11$	橡胶管 $\Phi 8 \times \Phi 11$	1	
8	271511511002	Brake steel tube 1	制动钢管1	1	
9	275211520011	Connection (tee) 3-3xm10x1	接头(三通)3-3xM10x1	1	
10	271511511003	Brake steel tube 2	制动钢管2	1	
11	275211520010	Brake tubing assembly	制动油管总成	1	
12	271511511001	Foot brake assembly	脚制动总成	1	
13	910200200142	Screw GB70.1 M10x20-12.9	螺钉GB70.1-M10x20-12.9	4	
14	910400500007	Spring washer GB93-10	弹簧垫圈GB93-10	4	
15	910400100007	Flat washer GB97.1-10-200 HV	平垫圈GB97.1-10-200HV	4	

前轮总成/Front wheel assembly

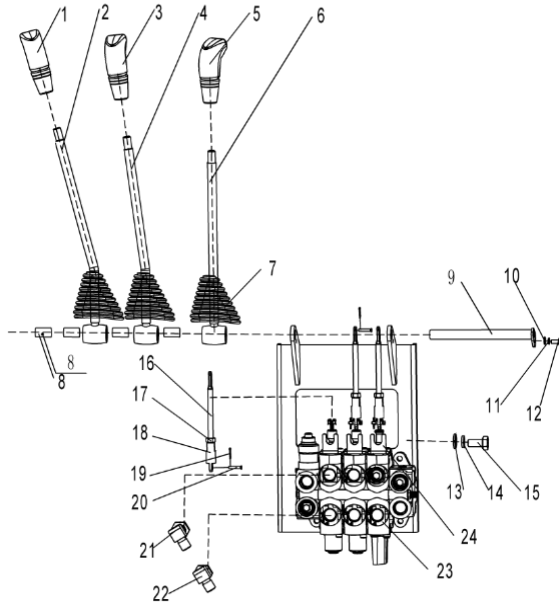


序号/NO	编码/SN	Name	名称	数量/QTY	备注/Remark
1	271515520008	Brake assembly 1	制动器总成(左)	1	左
	271515520006	Brake assembly 2	制动器总成(右)	1	右
2	910400100006	The flat washer GB97.1-8-200 HV	平垫圈GB97.1-8-200HV	4	
3	910400500006	Spring washer GB93-8	弹簧垫圈GB93-8	4	
4	910200200058	Screw GB70.1 M8x25-8.8	螺钉GB70.1-M8x25-8.8	4	
5	910800700002	Skeleton oil seal 75x90x12	骨架油封75x90x12	2	
6	271515520001	Bushing $\Phi 75 \times \Phi \times 15 \ 54$	衬套 $\Phi 75 \times \Phi 54 \times 15$	2	
7	910700600017	Bearing GB297-32009	轴承GB297-32009	2	
8	910700600016	Bearing GB297-32008	轴承GB297-32008	2	
9	271515520004	Brake drum	制动鼓	2	
10	272015510002	Tyre 13x41/2x8(solid)	轮胎13x41/2x8(实心)	2	
	272015510007	Tyre 13x41/2x8(environmentally)	轮胎13x41/2x8(环保)	2	选装/Optional
11	271515520003	Gasket $\Phi 50 \times \Phi 36 \times 4$	垫圈 $\Phi 50 \times \Phi 36 \times 4$	2	
12	910300800006	Nut GB812 - M35x1. 5	螺母GB812-M35x1.5	2	
13	271515520005	Double-headed stud m14x1.5x50	双头螺柱M14x1.5x50	2	
14	275215520008	Nut M14x1. 5	螺母M14x1.5	8	
15	271515520002	Blocking cover	堵盖	2	
16	910400900006	Stop washer GB858-35	止动垫圈GB858-35	2	

多路换向阀操纵(二联)/Multi-way reversing valve operation (two)

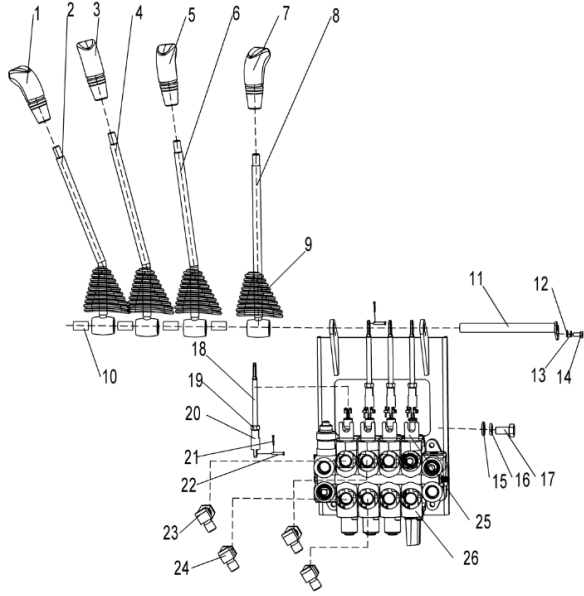
序号/NO	编码/SN	Name	名称	数量/QTY	备注/Remark
1	255024520023	Handle ball (incline)	手柄球(倾斜)	1	
2	271524511005	Joystick welding (incline)	操纵杆焊合(倾斜)	1	
3	255024520022	Handle ball (lifting)	手柄球(起升)	1	
4	271524511004	Stick welding (lifting)	操纵杆焊合(起升)	1	
5	255024520065	sheath	护套	2	
6	940500100006	Composite set $\Phi 16 \times \Phi 18 \times 15 - SF - 1$	复合套 $\Phi 16 \times \Phi 18 \times 15 - SF - 1$	4	
7	255024510009	With trunnion $\Phi 16 \times 168$	带耳轴 $\Phi 16 \times 168$	1	
8	910400100005	Flat washer GB97.1-6-200 HV	平垫圈GB97.1-6-200HV	9	
9	910400500005	Spring washer GB93-6	弹簧垫圈GB93-6	7	
10	910100300009	Bolt GB5783 M6x12-8.8	螺栓GB5783-M6x12-8.8	5	
11	910400100007	Flat washer GB97.1-10-200 HV	平垫圈GB97.1-10-200HV	6	
12	910400500007	Spring washer GB93-10	弹簧垫圈GB93-10	6	
13	910100300036	Bolt GB5783 M10x25-8.8	螺栓GB5783-M10x25-8.8	4	
14	271524521017	Connecting rod	连接杆	2	
15	910300100006	Nut GB6170 M8-10	螺母GB6170-M8-10	2	
16	255025020003	joint	接头	2	
17	941100800001	Pin B4.75 x20 - c1B	销轴B4.75x20-c1B	4	
18	910600600011	Cotter pin GB91-2 x12	开口销GB91-2x12	4	
19	271524511001	Multi-way valve (double joint)	多路阀(二联)	1	
20	255024520027	Bracket (travel switch)	支架(行程开关)	2	

多路换向阀操纵(三联)/Multi-way reversing valve control (three)



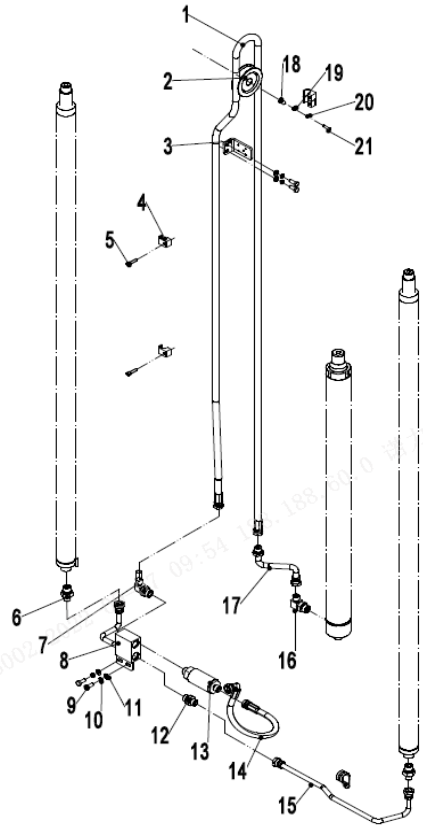
序号/NO	编码/SN	Name	名称	数量/QTY	备注/Remark
1	255025020002	Handle ball (1)	手柄球(属具1)	1	
2	271525011006	Joystick welding (equipment 1)	操纵杆焊接(属具1)	1	
3	255024520023	Handle ball (incline)	手柄球(倾斜)	1	
4	271524511005	Joystick welding (incline)	操纵杆焊接(倾斜)	1	
5	255024520022	Handle ball (lifting)	手柄球(起升)	1	
6	271524511004	Stick welding (lifting)	操纵杆焊接(起升)	1	
7	255024520065	sheath	护套	3	
8	940500100006	Composite set $\Phi 16 \times \Phi 18 \times 15 - SF - 1$	复合套 $\Phi 16 \times \Phi 18 \times 15 - SF - 1$	6	
9	255024510009	With trunnion $\Phi 16 \times 168$	带耳轴 $\Phi 16 \times 168$	1	
10	910400100005	Flat washer GB97.1-6-200 HV	平垫圈GB97.1-6-200HV	9	
11	910400500005	Spring washer GB93-6	弹簧垫圈GB93-6	7	
12	910100300009	Bolt GB5783 M6x12-8.8	螺栓GB5783-M6x12-8.8	5	
13	910400100007	Flat washer GB97.1-10-200 HV	平垫圈GB97.1-10-200HV	6	
14	910400500007	Spring washer GB93-10	弹簧垫圈GB93-10	6	
15	910100300036	Bolt GB5783 M10x25-8.8	螺栓GB5783-M10x25-8.8	4	
16	271524521017	Connecting rod	连接杆	3	
17	910300100006	Nut GB6170 M8-10	螺母GB6170-M8-10	3	
18	255025020003	joint	接头	3	
19	941100800001	Pin B4.75 x20 - c1B	销轴B4.75x20-c1B	6	
20	910600600011	Cotter pin GB91-2 x12	开口销GB91-2x12	6	
21	271523520007	Joint (lock) 10 - M20x1.5 - M14x1.5 - 60°	接头(锁定弯)10-M20x1.5-M14x1.5-60°	1	
22	271523520008	Joint (lock) 10 - M20x1.5 - M14x1.5 - 60°	接头(锁定弯)10-M20x1.5-M14x1.5-60°	1	
23	271525011001	Multi-way valve (sanxin triad)	多路阀(三联)	1	
24	255024520027	Bracket (travel switch)	支架(行程开关)	3	

多路换向阀操纵(四联)/Multi-way reversing valve control (Four)



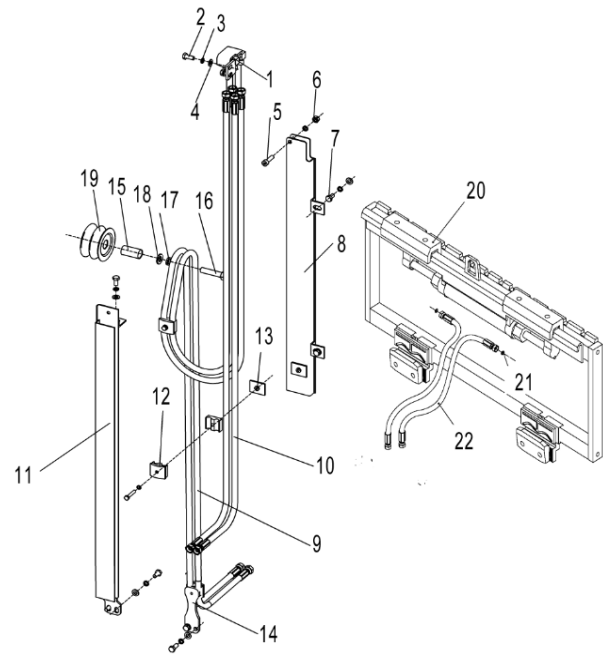
序号/NO	编码/SN	Name	名称	数量/QTY	备注/Remark
1	255025520002	Handle ball (2)	手柄球(属具2)	1	
2	271525511007	Stick welding (equipment 2)	操纵杆焊合(属具2)	1	
3	255025020002	Handle ball (1)	手柄球(属具1)	1	
4	271525011006	Joystick welding (equipment 1)	操纵杆焊合(属具1)	1	
5	255024520023	Handle ball (incline)	手柄球(倾斜)	1	
6	271524511005	Joystick welding (incline)	操纵杆焊合(倾斜)	1	
7	255024520022	Handle ball (lifting)	手柄球(起升)	1	
8	271524511004	Stick welding (lifting)	操纵杆焊合(起升)	1	
9	255024520065	sheath	护套	4	
10	940500100006	Composite set $\Phi 16 \times \Phi 18 \times 15 - SF - 1$	复合套 $\Phi 16 \times \Phi 18 \times 15 - SF - 1$	8	
11	255024510009	With trunnion $\Phi 16 \times 168$	带耳轴 $\Phi 16 \times 168$	1	
12	910400100005	Flat washer GB97.1-6-200 HV	平垫圈GB97.1-6-200HV	9	
13	910400500005	Spring washer GB93-6	弹簧垫圈GB93-6	7	
14	910100300009	Bolt GB5783 M6x12-8.8	螺栓GB5783-M6x12-8.8	5	
15	910400100007	Flat washer GB97.1-10-200 HV	平垫圈GB97.1-10-200HV	6	
16	910400500007	Spring washer GB93-10	弹簧垫圈GB93-10	6	
17	910100300036	Bolt GB5783 M10x25-8.8	螺栓GB5783-M10x25-8.8	4	
18	271524521017	Connecting rod	连接杆	4	
19	910300100006	Nut GB6170 M8-10	螺母GB6170-M8-10	4	
20	255025020003	joint	接头	4	
21	941100800001	Pin B4.75 x20 - c1B	销轴B4.75x20-c1B	8	
22	910600600011	Cotter pin GB91-2 x12	开口销GB91-2x12	8	
23	271523520007	JOINT (LOCK) 10 - M20x1.5 - M14x1.5 - 60°	接头(锁定弯)10-M20x1.5-M14x1.5-60°	2	
24	271523520008	JOINT (LOCK) 10 - M20x1.5 - M14x1.5 - 60°	接头(锁定弯)10-M20x1.5-M14x1.5-60°	2	
25	255024520027	Bracket (travel switch)	支架(行程开关)	4	
26	271525511001	Multi-way valve (four links)	多路阀(四联)	1	

门架起升管路 (三级全自由)/Lifting pipeline (three-stage full free mast)



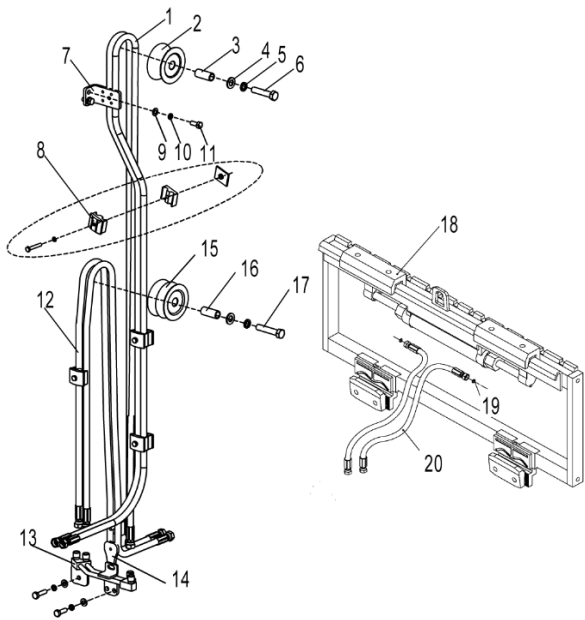
序号/NO	编码/SN	Name	名称	数量/QTY	备注/Remark
1	271544529501	Hydraulic tube assembly (straight) 12-L3180-2SC-60°	液压管总成 (直) 12-L3180-2SC-60°	1	H=4000
	254144520043	Hydraulic tube assembly (straight) 12-L3250-2SC-60°	液压管总成 (直) 12-L3250-2SC-60°	1	H=4350
	254144520044	Hydraulic tube assembly (straight) 12-L3450-2SC-60°	液压管总成 (直) 12-L3450-2SC-60°	1	H=4500
	254144520045	Hydraulic tube assembly (straight) 12-L3650-2SC-60°	液压管总成 (直) 12-L3650-2SC-60°	1	H=4800
	271544520004	Hydraulic tube assembly (straight) 12-L3850-2SC-60°	液压管总成 (直) 12-L3850-2SC-60°	1	H=5000
2	271544529004	Pulley Φ84x18(single)	滑轮Φ84x18(单槽)	1	
3	271544529005	Installation plate (main)	安装板(主)	1	
4	255044520132	Tubing clamp	油管夹	4	
5	910200200038	Screw GB70.1-M6x25-8.8	螺钉GB70.1-M6x25-8.8	4	
6	271544029005	Joint (straight) 10-M20x1.5-M18x1.5-60°	接头(直)10-M20x1.5-M18x1.5-60°	2	
7	281244529001	Joint (lock bend)12-M18x1.5-M22x1.5-60°	接头(锁定弯)12-M18x1.5-M22x1.5-60°	1	
8	271544501100	Four-way body welding	四通体焊接	1	
9	910100300022	Bolt GB5783-M8x20-8.8	螺栓GB5783-M8x20-8.8	2	
10	910400500006	Spring washer GB93-8	弹簧垫圈GB93-8	4	
11	910400100006	Washer GB97.1-8-200HV	平垫圈GB97.1-8-200HV	4	
12	254144520040	Joint (straight) 10-M22x1.5-M18x1.5-60°	接头(直)10-M22x1.5-M18x1.5-60°	1	
13	950700300009	Speed limiting valve XSF-F16L-14-6	限速阀XSF-F16L-14-6	1	
14	271544029002	Hydraulic tube assembly (90°)12-L650-2SC-60°	液压管总成(90°) 12-L650-2SC-60°	1	
15	271544519003	Hydraulic steel tube assembly (light)	液压钢管总成(右)	1	
16	281244529001	Joint (lock bend)12-M18x1.5-M22x1.5-60°	接头(锁定弯)12-M18x1.5-M22x1.5-60°	1	
17	271544519002	Steel tube assembly (main)	钢管总成(主)	1	
18	255036020007	Bush Φ20XΦ13x19	衬套Φ20XΦ13x19	1	
19	910400100008	Washer GB97.1-12-200HV	平垫圈GB97.1-12-200HV	1	
20	910400500008	Spring washer GB93-12	弹簧垫圈GB93-12	1	
21	910100300052	Bolt GB5783-M12x40-8.8	螺栓GB5783-M12x40-8.8	1	
22	271598520002	Anti-explosion Valve	防爆阀	1	

侧移器及管路安装 (二级全自由门架) / Side shifter and pipeline installation (two-stage full free mast)



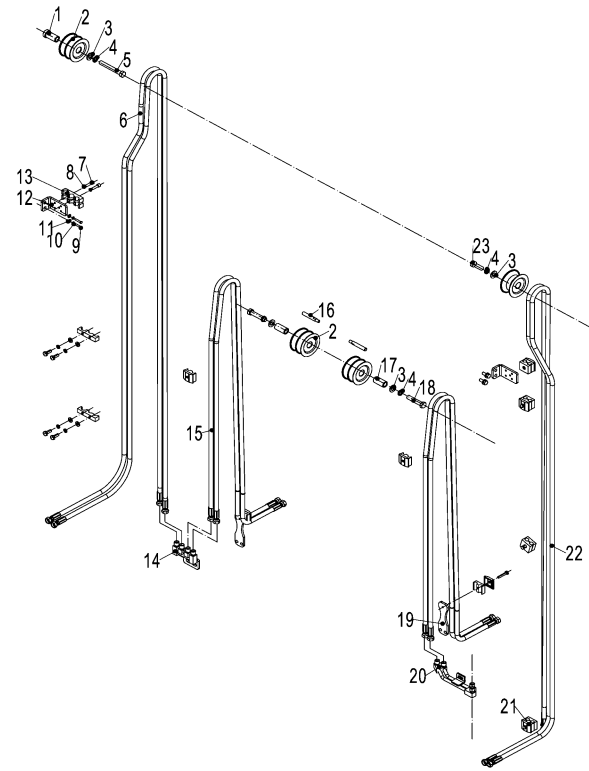
序号/NO	编码/SN	Name	名称	数量/QTY	备注/Remark
1	271528511001	Four-way valve assembly (triple)	四通阀总成 (三联)	1	
2	910100300022	Bolt GB5783 M8x20-8.8	螺栓GB5783-M8x20-8.8	3	
3	910400500006	Spring washer GB93-8	弹簧垫圈GB93-8	10	
4	910400100006	The flat washer GB97.1-8-200 HV	平垫圈GB97.1-8-200HV	8	
5	910200200059	Screw GB70.1 M8x30-8.8	螺钉GB70.1-M8x30-8.8	2	
6	910300100006	Nut GB6170 M8-10	螺母GB6170-M8-10	2	
7	910100300020	Bolt GB5783 M8x16-8.8	螺栓GB5783-M8x16-8.8	5	
8	271528510101	Soldering L=570	外导槽焊合L=570	1	H=2500
	271528510102	Outer guide groove welding L=670	外导槽焊合L=670	1	H=2700
	271528510103	Outer guide groove welding L=820	外导槽焊合L=820	1	H=3000
	271528510104	Outer guide groove welding L=970	外导槽焊合L=970	1	H=3300
	271528510105	Outer guide groove welding L=1070	外导槽焊合L=1070	1	H=3500
	271528510106	Soldering of outer guide groove L=1170	外导槽焊合L=1170	1	H=3700
	271528510107	Outer guide groove welding L=1370	外导槽焊合L=1370	1	H=4000
9	271528520161	Hydraulic tube assembly (straight) 6-L2050-1.60°	液压管总成 (直) 6-L2050-1SC-60°	2	H=2500
	271528520157	Hydraulic tube assembly (straight) 6-L2250-1.60°	液压管总成 (直) 6-L2250-1SC-60°	2	H=2700
	271528520162	Hydraulic tube assembly (straight) 6-L2550-1.60°	液压管总成 (直) 6-L2550-1SC-60°	2	H=3000
	271528520163	Hydraulic tube assembly (straight) 6-L2850-1.60°	液压管总成 (直) 6-L2850-1SC-60°	2	H=3300
	271528520164	Hydraulic tube assembly (straight) 6-L3150-1.60°	液压管总成 (直) 6-L3150-1SC-60°	2	H=3500
	271528520165	Hydraulic tube assembly (straight) 6-L3350-1.60°	液压管总成 (直) 6-L3350-1SC-60°	2	H=3700
	271528520166	Hydraulic tube assembly (straight) 6-L3650-1.60°	液压管总成 (直) 6-L3650-1SC-60°	2	H=4000
10	271528520151	Hydraulic tube assembly (straight) 6-L1500-1.60°	液压管总成 (直) 6-L1500-1SC-60°	2	H=2500
	271528520152	Hydraulic tube assembly (straight) 6-L1600-1.60°	液压管总成 (直) 6-L1600-1SC-60°	2	H=2700
	271528520153	Hydraulic tube assembly (straight) 6-L1750-1.60°	液压管总成 (直) 6-L1750-1SC-60°	2	H=3000
	271528520154	Hydraulic tube assembly (straight) 6-L1900-1.60°	液压管总成 (直) 6-L1900-1SC-60°	2	H=3300
	271528520155	Hydraulic tube assembly (straight) 6-L2000-1.60°	液压管总成 (直) 6-L2000-1SC-60°	2	H=3500
	271528520156	Hydraulic tube assembly (straight) 6-L2100-1.60°	液压管总成 (直) 6-L2100-1SC-60°	2	H=3700
	271528520157	Hydraulic tube assembly (straight) 6-L2250-1.60°	液压管总成 (直) 6-L2250-1SC-60°	2	H=4000
11	271528510111	Inner guide groove welding L=495	内导槽焊合L=495	1	H=2500
	271528510112	Inner guide groove welding L=595	内导槽焊合L=595	1	H=2700
	271528510113	Inner guide groove welding L=745	内导槽焊合L=745	1	H=3000
	271528510114	Inner guide groove welding L=895	内导槽焊合L=895	1	H=3300

侧移器及管路安装 (三级全自由门架)/Side shifter and pipeline installation(three-stage full free mast)



序号/NO	编码/SN	Name	名称	数量/QTY	备注/Remark
1	272327520002	Hydraulic tube assembly (straight) 8 - L3800-1-60°	液压管总成(直)8-L3800-1SC-60°	2	H=4000
	271529020155	Hydraulic tube assembly (straight) 8 - L3910-1-60°	液压管总成(直)8-L3910-1SC-60°	2	H=4350
	271527520004	Hydraulic tube assembly (straight) 8 - L4000-1-60°	液压管总成(直)8-L4000-1SC-60°	2	H=4500
	271527520005	Hydraulic tube assembly (straight) 8 - L4200-1-60°	液压管总成(直)8-L4200-1SC-60°	2	H=4800
	271527520006	Hydraulic tube assembly (straight) 8 - L4400-1-60°	液压管总成(直)8-L4400-1SC-60°	2	H=5000
2	271530520104	Pulley Φ x38 54 (single slot)	滑轮Φ54x38(单槽)	1	
3	271530520105	Bushing Φ Φ x33 13 x 20	衬套Φ20xΦ13x33	1	
4	910400100008	The flat washer GB97.1-12-200 HV	平垫圈GB97.1-12-200HV	2	
5	910400500008	Spring washer GB93-12	弹簧垫圈GB93-12	1	
6	910100300055	Bolt GB5783 M12x55-8.8	螺栓GB5783-M12x55-8.8	1	
7	271530520102	Hose clamp	胶管固定板	1	
8	271544001101	Double pipe clamp	双孔管夹	5	
9	910400100006	The flat washer GB97.1-8-200 HV	平垫圈GB97.1-8-200HV	7	
10	910400500006	Spring washer GB93-8	弹簧垫圈GB93-8	7	
11	910100300023	Bolt GB5783 M8x25-8.8	螺栓GB5783-M8x25-8.8	7	
12	271530520151	Hydraulic tube assembly (straight) 8-L1990-1SC-60°-0°	液压管总成(直)8-L1990-1SC-60°-0°	2	H=4000
	271530520152	Hydraulic tube assembly (straight) 8-L2050-1SC-60°-0°	液压管总成(直)8-L2050-1SC-60°-0°	2	H=4350
	271530520153	Hydraulic tube assembly (straight) 8-L2140-1SC-60°-0°	液压管总成(直)8-L2140-1SC-60°-0°	2	H=4500
	271530520154	Hydraulic tube assembly (straight) 8-L2240-1SC-60°-0°	液压管总成(直)8-L2240-1SC-60°-0°	2	H=4800
	271530520155	Hydraulic tube assembly (straight) 8-L2340-1SC-60°-0°	液压管总成(直)8-L2340-1SC-60°-0°	2	H=5000
13	271530511001	Hydraulic steel tube assembly (triple)	液压钢管总成(三联)	1	
14	271530520103	Mounting plate	安装板	1	
15	271527521003	Pulley Φ x46 74 (dual slot)	滑轮Φ74x46(双槽)	3	
16	271530520106	Bushing Φ Φ x41 13 x 20	衬套Φ20xΦ13x41	1	
17	910100300056	Bolt GB5783 M12x60-8.8	螺栓GB5783-M12x60-8.8	1	
18	272042510001	Side shifter assembly (linkage)	侧移器总成(联动)	1	
19	910800100001	O-ring - internal 9.5x1.8	O形圈-内9.5x1.8	2	

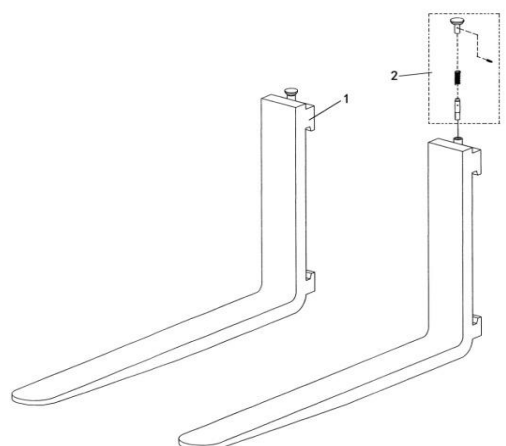
双附加管路（三级全自由门架）



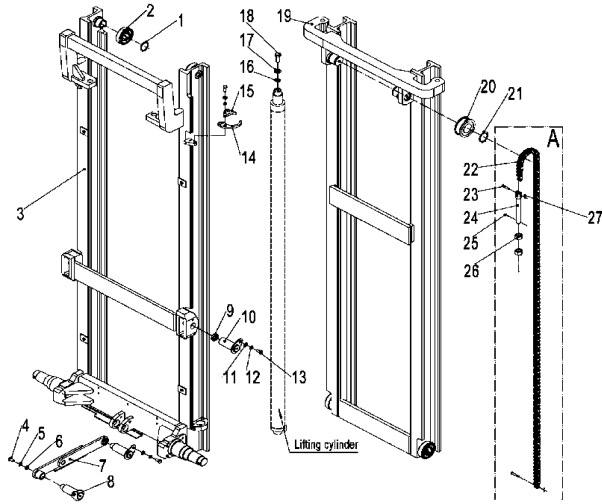
序号/NO	编码/SN	Name	名称	数量/QTY	备注/Remark
1	254129010001	Excessive pipe welding	过度钢管焊合	1	
2	271527521003	Pulley Φ74x46	滑轮Φ74x46(双槽)	4	
3	910400100008	The flat washer GB97.1-12-200 HV	平垫圈GB97.1-12-200HV	4	
4	910400500008	Spring washer GB93-12	弹簧垫圈GB93-12	4	
5	910100100056	Bolt GB5782-M12x90-8.8	螺栓GB5782-M12x90-8.8	1	
6	271531020111	Hydraulic tube assembly (straight) 8-	液压管总成(直)8-L4300-1SC-60°	2	H=4000
6	271531020112	Hydraulic tube assembly (straight) 8-	液压管总成(直)8-L4500-1SC-60°	2	H=4350
6	272327520003	Hydraulic tube assembly (straight) 8-	液压管总成(直)8-L4600-1SC-60°	2	H=4500
6	271531020114	Hydraulic tube assembly (straight) 8-	液压管总成(直)8-L4800-1SC-60°	2	H=4800
6	271527520008	Hydraulic tube assembly (straight) 8-	液压管总成(直)8-L5000-1SC-60°	2	H=5000
7	910200200038	Screw GB70.1-M6x25-8.8	螺钉GB70.1-M6x25-8.8	6	
8	910400500005	Spring washer GB93-6	弹簧垫圈GB93-6	6	
9	910100300023	Bolt GB5783 M8x25-8.8	螺栓GB5783-M8x25-8.8	11	
10	910400500006	Spring washer GB93-8	弹簧垫圈GB93-8	11	
11	910400100006	The flat washer GB97.1-8-200 HV	平垫圈GB97.1-8-200HV	11	
12	271531020103	Pressure Plate (three holes)	压板(三孔)	3	
13	271530520102	Hose clamp	胶管固定板	2	
14	271531011001	Steel tube assembly (quadruple)	钢管总成(四联)	1	
15	271530520151	Hydraulic tube assembly (straight) 8-	液压管总成(直)8-L1990-1SC-60°-0°	2	H=4000
15	271530520152	Hydraulic tube assembly (straight) 8-	液压管总成(直)8-L2050-1SC-60°-0°	2	H=4350
15	271530520153	Hydraulic tube assembly (straight) 8-	液压管总成(直)8-L2140-1SC-60°-0°	2	H=4500
15	271530520154	Hydraulic tube assembly (straight) 8-	液压管总成(直)8-L2240-1SC-60°-0°	2	H=4800
15	271530520155	Hydraulic tube assembly (straight) 8-	液压管总成(直)8-L2340-1SC-60°-0°	2	H=5000
16	254130520014	Block Rod of pulley	滑轮挡杆	2	
17	271530520106	Bushing Φ Φ x41 13 x 20	衬套Φ20xΦ13x41	2	
18	910100300056	Bolt GB5783 M12x60-8.8	螺栓GB5783-M12x60-8.8	2	
19	271530520103	Mounting plate	安装板	2	
20	271530511001	Hydraulic steel tube assembly (triple)	液压钢管总成(三联)	1	
21	271544001101	Double pipe clamp	双孔管夹	5	
22	272327520002	Hydraulic tube assembly (straight) 8-	液压管总成(直)8-L3800-1SC-60°	2	H=4000
22	271529020155	Hydraulic tube assembly (straight) 8-	液压管总成(直)8-L3910-1SC-60°	2	H=4350
22	271527520004	Hydraulic tube assembly (straight) 8-	液压管总成(直)8-L4000-1SC-60°	2	H=4500

货 叉/Fork

序号/NO	编码/SN	Name	名称	数量/QTY	备注/Remark
A	940100100001	Fork 100 x35x920	挂钩 II A型货叉100x35x920	2	包括/inc.1-2
	940100100002	Fork 100 x35x950	挂钩 II A型货叉100x35x950	2	
	940100100003	Fork 100 x35x1070	挂钩 II A型货叉100x35x1070	2	
	940100100004	Fork 100 x35x1150	挂钩 II A型货叉100x35x1150	2	
	940100100005	Fork 100 x35x1220	挂钩 II A型货叉100x35x1220	2	
1	▲	Fork body	货叉体	2	
2	253098514101	Lift pin assembly	提销总成	2	

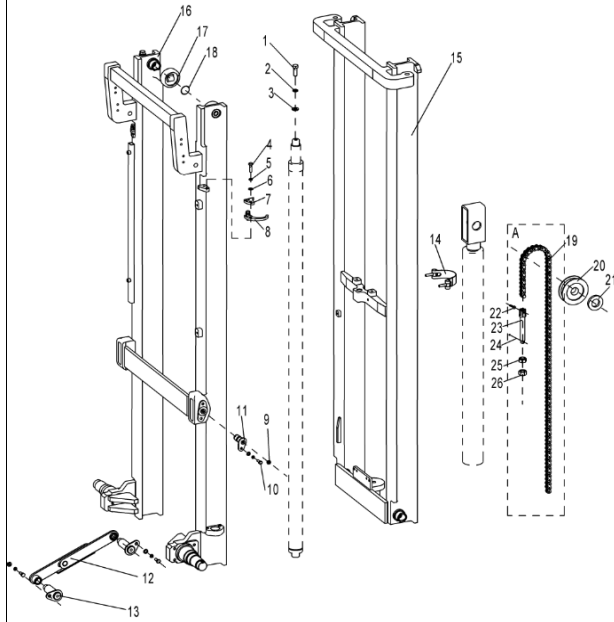


门架 (标准门架)/Mast (standard mast)



序号/NO	编码/SN	Name	名称	数量/QTY	备注/Remark
1	910401300018	Axis with elastic catch GB894.1-35	轴用弹性挡圈GB894.1-35	4	
2	940200300003	Composite roller $\Phi 70.6 = 43.5-47.5$	复合滚轮 $\Phi 70.6$ -range=43.5-47.5	4	
3	271544011001	Outside mast (2500)	外门架(2500)	1	H=2500
	271544011002	Outside mast (2700)	外门架(2700)	1	H=2700
	271544011003	Outside mast (3000)	外门架(3000)	1	H=3000
	271544011004	Outside mast (3300)	外门架(3300)	1	H=3300
	271544011005	Outside mast (3500)	外门架(3500)	1	H=3500
	271544011006	Outside mast (3700)	外门架(3700)	1	H=3700
	271544011007	Outside mast (4000)	外门架(4000)	1	H=4000
4	910100300035	Bolt GB5783 M10x20-8.8	螺栓GB5783-M10x20-8.8	2	
5	910400500007	Spring washer GB93-10	弹簧垫圈GB93-10	2	
6	910400200004	Big washer GB96.1-10-200 HV	大垫圈GB96.1-10-200HV	2	
7	271544010003	Tie rod	拉杆	1	
8	271544010001	With trunnion $\Phi 30 \times 86$	带耳轴 $\Phi 30 \times 86$	2	
9	940500100051	Composite set of 25 x $\Phi 34 \times 20$ - SF-2	复合套 $\Phi 25 \times \Phi 34 \times 20$ -SF-2	2	
10	271544010002	With trunnion $\Phi 50 \times 25$	带耳轴 $\Phi 25 \times 50$	2	
11	910400500006	Spring washer GB93-8	弹簧垫圈GB93-8	4	
12	910400100006	Spring washer GB93-8	平垫圈GB97.1-8-200HV	4	
13	910400100006	The flat washer GB97.1-8-200 HV	平垫圈GB97.1-8-200HV	4	
14	275244020003	The hoop	外抱箍	2	
15	275244020004	The hoop	内抱箍	2	
16	910400100008	The flat washer GB97.1-12-200 HV	平垫圈GB97.1-12-200HV	2	
17	910400500008	Spring washer GB93-12	弹簧垫圈GB93-12	2	
18	910100300051	Bolt GB5783 M12x35-8.8	螺栓GB5783-M12x35-8.8	2	
19	271544012001	Inner mast (2500)	内门架(2500)	1	H=2500
	271544012002	Inner mast (2700)	内门架(2700)	1	H=2700
	271544012003	Inner mast (3000)	内门架(3000)	1	H=3000
	271544012004	Inner mast (3300)	内门架(3300)	1	H=3300
	271544012005	Inner mast (3500)	内门架(3500)	1	H=3500
	271544012006	Inner mast (3700)	内门架(3700)	1	H=3700
	271544012007	Inner mast (4000)	内门架(4000)	1	H=4000
20	940200500005	Sprocket wheel bearing 782208 x	链轮轴承782208- $\Phi 70 \times \Phi 40 \times 21$	2	

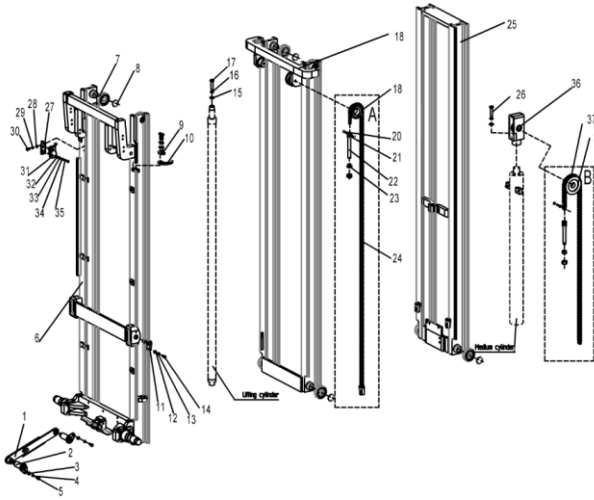
门架（二级全自由门架）/Mast (two-stage full free mast)



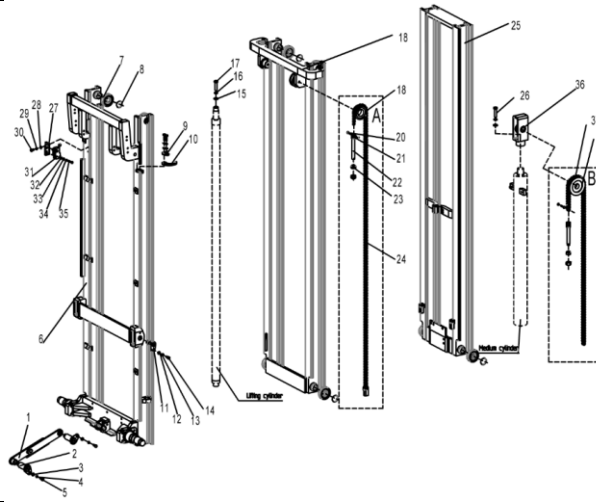
序号/NO	编码/SN	Name	名称	数量/QTY	备注/Remark
1	910100300051	Bolt GB5783 M12x35-8.8	螺栓GB5783-M12x35-8.8	2	
2	910400500008	Spring washer GB93-12	弹簧垫圈GB93-12	2	
3	910400100008	The flat washer GB97.1-12-200 HV	平垫圈GB97.1-12-200HV	2	
4	910100300024	Bolt GB5783 M8x30-8.8	螺栓GB5783-M8x30-8.8	4	
5	910400500006	Spring washer GB93-8	弹簧垫圈GB93-8	6	
6	910400100006	The flat washer GB97.1-8-200 HV	平垫圈GB97.1-8-200HV	6	
7	275244020003	The hoop	外抱箍	2	
8	275244020004	The hoop	内抱箍	2	
9	911200100006	Oil cup DIN71412A - M8x1	油杯DIN71412A-M8x1	2	
10	910100300022	Bolt GB5783 M8x20-8.8	螺栓GB5783-M8x20-8.8	4	
11	271544010002	With trunnion Φ x50 25	带耳轴 Φ 25x50	2	
12	271544010003	Tie rod	拉杆	1	
13	271544010001	With trunnion Φ 30 x86	带耳轴 Φ 30x86	2	
14	940800600004	Embrace hoop Φ 80 components	抱箍组件 Φ 80	1	
15	271543512001	Inner mast (2500)	内门架焊合(2500)	1	H=2500
	271543512002	Inner mast (2700)	内门架焊合(2700)	1	H=2700
	271543512003	Inner mast (3000)	内门架焊合(3000)	1	H=3000
	271543512004	Inner mast (3300)	内门架焊合(3300)	1	H=3300
	271543512005	Inner mast (3500)	内门架焊合(3500)	1	H=3500
	271543512006	Inner mast (3700)	内门架焊合(3700)	1	H=3700
	271543512007	Inner mast (4000)	内门架焊合(4000)	1	H=4000
16	271543511001	Outer mast (2500)	外门架焊合(2500)	1	H=2500
	271543511002	Outer mast (2700)	外门架焊合(2700)	1	H=2700
	271543511003	Outer mast (3000)	外门架焊合(3000)	1	H=3000
	271543511004	Outer mast (3300)	外门架焊合(3300)	1	H=3300
	271543511005	Outer mast (3500)	外门架焊合(3500)	1	H=3500
	271543511006	Outer mast (3700)	外门架焊合(3700)	1	H=3700
	271543511007	Outer mast (4000)	外门架焊合(4000)	1	H=4000
17	940200300003	Composite roller Φ 70.6 = 43.5-47.5	复合滚轮 Φ 70.6-range=43.5-47.5	4	
18	910401300020	Axis with elastic catch GB894.1-40	轴用弹性挡圈GB894.1-40	4	
19	▲	Plate chain GB6074 - LH1044	板式链GB6074-LH1044	1	
20	940200500014	Sprocket wheel bearing 90 x 780703 Φ 25 x 21	链轮轴承780703- Φ 90X Φ 35X21	1	

门架（三级全自由门架）/Mast (three-stage full free mast)

序号/NO	编码/SN	Name	名称	数量/QTY	备注/Remark
1	271544010003	Tie rod	拉杆	1	
2	910400500007	Spring washer GB93-10	弹簧垫圈GB93-10	2	
3	910400200004	Big washer GB96.1-10-200 HV	大垫圈GB96.1-10-200HV	2	
4	910100300035	Bolt GB5783 M10x20-8.8	螺栓GB5783-M10x20-8.8	2	
5	271544010001	With trunnion Φ 30 x86	带耳轴 Φ 30x86	2	
6	271544511001	Outer mast (4000)	外门架焊合(4000)	1	H=4000
	271544511002	Outer mast(4350)	外门架焊合(4350)	1	H=4350
	271544511003	Outer mast (4500)	外门架焊合(4500)	1	H=4500
	271544511004	Outer mast (4800)	外门架焊合(4800)	1	H=4800
	271544511005	Outer mast (5000)	外门架焊合(5000)	1	H=5000
7	940200300003	Composite roller Φ 70.6 = 43.5-47.5	复合滚轮 Φ 70.6-range=43.5-47.5	4	
8	910401300020	Axis with elastic catch GB894.1-40	轴用弹性挡圈GB894.1-40	2	
9	275244020004	The hoop	内抱箍	2	
10	275244020003	The hoop	外抱箍	2	
11	271544010002	With trunnion Φ x50 25	带耳轴 Φ 25x50	2	
12	910400500006	Spring washer GB93-8	弹簧垫圈GB93-8	16	
13	910400100006	The flat washer GB97.1-8-200 HV	平垫圈GB97.1-8-200HV	16	
14	910100300022	Bolt GB5783 M8x20-8.8	螺栓GB5783-M8x20-8.8	12	
15	910400500008	Spring washer GB93-12	弹簧垫圈GB93-12	3	
16	910400100008	The flat washer GB97.1-12-200 HV	平垫圈GB97.1-12-200HV	3	
17	910100300052	Bolt GB5783 M12x40-8.8	螺栓GB5783-M12x40-8.8	2	
18	271544513001	Middle mast (4000)	中门架焊合(4000)	1	H=4000
	271544513002	Middle mast (4350)	中门架焊合(4350)	1	H=4350
	271544513003	Middle mast (4500)	中门架焊合(4500)	1	H=4500
	271544513004	Middle mast (4800)	中门架焊合(4800)	1	H=4800
	271544513005	Middle mast (5000)	中门架焊合(5000)	1	H=5000
19	940200500005	Sprocket wheel bearing 782208 x 782208 Φ x21.40	链轮轴承782208- Φ 70x Φ 40x21	2	
20	271544020108	Pin 6 x28 Φ	销轴 Φ 6x28	2	
21	910600600030	Cotter pin GB91-3.2 x	开口销GB91-3.2x30	2	
22	271544020107	Chain bolt m16x1.5x142.5	链条螺栓M16x1.5x142.5	1	
23	910300200008	Nut GB6171 - M16x1. 5-10	螺母GB6171-M16x1.5-10	2	
24	▲	Plate chain GB6074 - LH1034	板式链GB6074-LH1034	1	

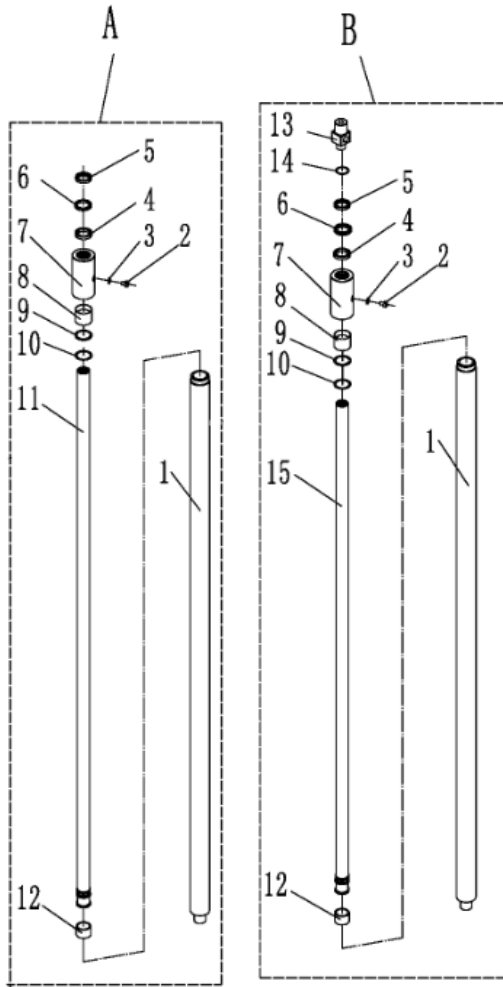


门架（三级全自由门架）/ Mast (three-stage full free mast)



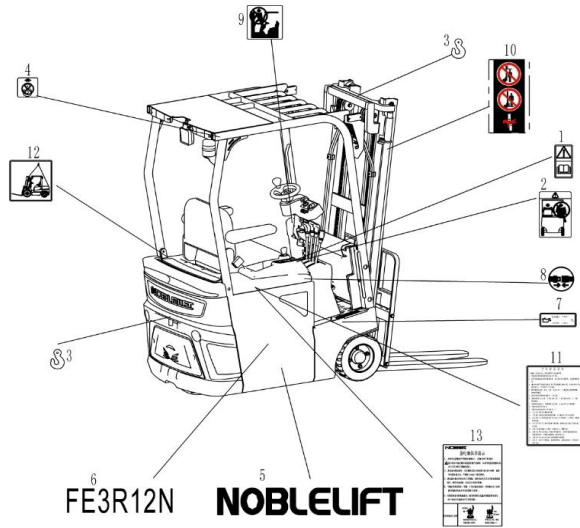
序号/NO	编码/SN	Name	名称	数量/QTY	备注/Remark
A	271544514001	Lifting chain lh1034-107	起升链条LH1034-107	2	H=4000
	271544514002	Lifting chain lh1034-114	起升链条LH1034-114	2	H=4350
	271544514003	Lifting chain lh1034-117	起升链条LH1034-117	2	H=4500
	271544514004	Lifting chain lh1034-123	起升链条LH1034-123	2	H=4800
	271544514005	Lifting chain lh1034-129	起升链条LH1034-129	2	H=5000
25	271544512001	Inner mast(4000)	内门架焊合(4000)	1	H=4000
	271544512002	Inner mast (4350)	内门架焊合(4350)	1	H=4350
	271544512003	Inner mast (4500)	内门架焊合(4500)	1	H=4500
	271544512004	Inner mast (4800)	内门架焊合(4800)	1	H=4800
	271544512005	Inner mast (5000)	内门架焊合(5000)	1	H=5000
26	910100300050	Bolt GB5783 M12x30-8.8	螺栓GB5783-M12x30-8.8	1	
27	271544020006	Mounting plate (limit switch)	安装板(限位开关)	1	
28	910400500005	Spring washer GB93-6	弹簧垫圈GB93-6	2	
29	910400100005	Flat washer GB97.1-6-200 HV	平垫圈GB97.1-6-200HV		
30	910100300009	Bolt GB5783 M6x12-8.8	螺栓GB5783-M6x12-8.8	2	
31	920200300003	Micro switch rz-15gw2s-b3	微动开关RZ-15GW2S-B3	1	
32	910300100005	Nut GB6170 - M6-10	螺母GB6170-M6-10	2	
33	910400500005	Spring washer GB93-6	弹簧垫圈GB93-6	2	
34	910400100004	Flat washer GB97.1-5-200 HV	平垫圈GB97.1-5-200HV	2	
35	910201200001	Screw GB71 M6x20-45 h	螺钉GB71-M6x20-45H	2	
36	271544520003	Sprocket wheel rack	链轮架	1	
37	▲	Plate chain GB6074 - LH1044	板式链GB6074-LH1044	1	
38	940200500014	Sprocket wheel bearing 90 x 780703 Φ 35 x 21	链轮轴承780703-Φ90XΦ35X21	1	
B	271544515001	Lifting chain lh1044-77	起升链条LH1044-73	1	H=4000
	271544515002	Lifting chain lh1044-77	起升链条LH1044-81	1	H=4350
	271544515003	Lifting chain lh1044-81	起升链条LH1044-77	1	H=4500
	271544515004	Lifting chain lh1044-83	起升链条LH1044-81	1	H=4800
	271544515005	Lifting chain lh1044-89	起升链条LH1044-89	1	H=5000

起升油缸 (二级全自由) /Lift cylinder (two-stage full free mast)



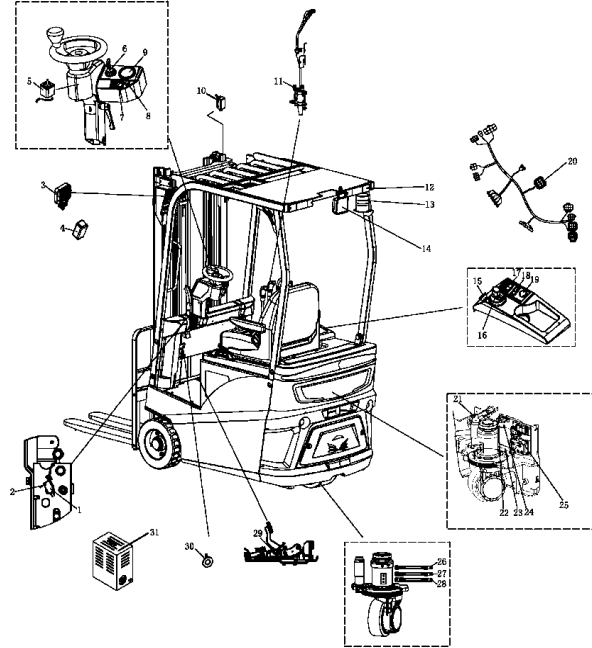
序号/NO	编码/SN	Name	名称	数量/QTY	备注/Remark
A	271543516001	Oil cylinder (R) Φ 40 x Φ 30 x1245	油缸(R)(H=2500)	1	H=2500
	271543516002	Oil cylinder (R) Φ 40 x Φ 30 x1345	油缸(R)(H=2700)	1	H=2700
	271543516003	Oil cylinder (R) Φ 40 x Φ 30 x1495	油缸(R)(H=3000)	1	H=3000
	271543516004	Oil cylinder (R) Φ 40 x Φ 30 x1645	油缸(R)(H=3300)	1	H=3300
	271543516005	Oil cylinder (R) Φ 40 x Φ 30 x1745	油缸(R)(H=3500)	1	H=3500
	271543516006	Oil cylinder (R) Φ 40 x Φ 30 x1845	油缸(R)(H=3700)	1	H=3700
	271543516007	Oil cylinder (R) Φ 40 x Φ 30 x1995	油缸(R)(H=4000)	1	H=4000
B	271543517001	Oil cylinder (L) Φ 40 x Φ 30 x1245	油缸(L)(H=2500)	1	H=2500
	271543517002	Oil cylinder (L) Φ 40 x Φ 30 x1345	油缸(L)(H=2700)	1	H=2700
	271543517003	Oil cylinder (L) Φ 40 x Φ 30 x1495	油缸(L)(H=3000)	1	H=3000
	271543517004	Oil cylinder (L) Φ 40 x Φ 30 x1645	油缸(L)(H=3300)	1	H=3300
	271543517005	Oil cylinder (L) Φ 40 x Φ 30 x1745	油缸(L)(H=3500)	1	H=3500
	271543517006	Oil cylinder (L) Φ 40 x Φ 30 x1845	油缸(L)(H=3700)	1	H=3700
	271543517007	Oil cylinder (L) Φ 40 x Φ 30 x1995	油缸(L)(H=4000)	1	H=4000
1	▲	Cylinder block	缸体	2	
2	▲	Hexagon socket head screw	内六角圆柱头螺钉	2	
3	▲	Combination gasket	组合密封垫圈	2	
4	▲	Shaft seal 30 x40x6	轴封30X40X6	2	
5	▲	DH30X38X5	DH30X38X5	2	
6	▲	Retaining ring	挡圈	2	
7	▲	Cylinder head	缸盖	2	
8	▲	Steel back bearing 30X34X25	钢背轴承30X34X25	2	
9	▲	O-rings D45X3. 1	O型圈	2	
10	▲	Retaining ring	挡圈	2	
11	▲	Right the piston rod	右活塞杆	1	
12	▲	Supporting ring for bore 35X40X10	孔用支承环35X40X10	2	
13	▲	The left cylinder joint	左缸接头	1	
14	▲	O-ring rubber	O形橡胶密封圈	1	
15	▲	Left the piston rod	左活塞杆	1	
16	▲	Steel body	钢体	1	
A	271598510003	Seal repair kit (lifting cylinder)	密封件修理包(起升缸)	2	包含/Inc.4.5.9.12.14

标牌安装(中文)



序号/NO	编码/SN	Name	名称	数量/QTY	备注/Remark
A	271547001001		标贴总成(中文)	1	包含/Inc.1-16
	271147001001		标贴总成(中文)	1	FE3R08N
1	941200300011		标贴(警告阅读)	1	
2	255047020013		禁止座人	1	
3	941200300001		标贴(吊点)	3	
4	255047020008		禁止起吊标识	2	
5	255047020018		诺力标志	2	
6	271547020001		产品型号标识	2	
7	271547020002		液压油标牌	1	
8	255047020012		安全带标贴	1	
9	255047020009		禁止攀爬	1	
10	941200100004		标贴(堆高组合警示)	2	
11	255047020003		叉车使用须知	1	
12	255047020019		整车吊装	1	
13	255047020007		蓄电池保养提示	1	

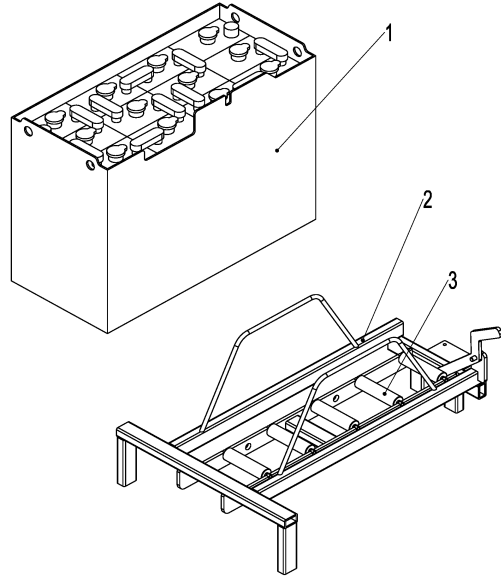
电气系统/Electrical system



序号/NO	编码/SN	Name	名称	数量/QTY	备注/Remark
1	920200300009	Micro switch	微动开关	1	Parking brake
2	910400100003	The flat washer GB97.1-4-200 HV	平垫圈GB97.1-4-200HV	2	
3	922000100001	Lamp PDL - LXZM - 1	灯PDL-LXZM-1	2	headlamp
4	922000100002	Lamp PDL - LXXD - 1	灯PDL-LXXD-1	2	front turn signal lamp
5	921800200004	Potentiometer TY1204-1	电位器	1	Curtis
	921800200005	Potentiometer 23KM-K227-06V	电位器	1	Zapi
6	920200200002	Key switch	钥匙开关	1	
7	920200800018	Rocker switch YB-nuoli-001	翘板开关YB-nuoli-001	1	
8	920200700003	Button switch gq16h-10	按钮开关GQ16H-10	1	
9	921100100038	Instrument 8 3140-12-4 v	仪表3140-12-48V	1	Curtis
	921100100047	Instrument D13L-A	仪表D13L-A	1	Zapi
10	920200300003	Micro switch rz-15gw2s-b3	微动开关RZ-15GW2S-B3	1	
11	920200300004	Micro switch rz-15gq22-b3	微动开关RZ-15GQ22-B3	1	
12	922000100003	Lamp PDL - LXHW - 2	灯PDL-LXHW-2	2	rear combination lamp
13	922000100004	Lamp PDL - LXJD - 01 y	灯PDL-LXJD-01Y	1	caution light
14	922000100001	Lamp PDL - LXZM - 1	灯PDL-LXZM-1	1	选装/Optional
	922000100014	Lamp A-LJD-A1	灯A-LJD-A1	1	选装/Optional
15	920200100020	Emergency stop switch	急停开关	1	
16	920200800018	Rocker switch YB-nuoli-001	翘板开关YB-nuoli-001	1	
17	920200800021	Tilt-plate switch yb-nuol-004	翘板开关YB-nuoli-004	1	
18	920200800020	Tilt-plate switch yb-nuol-003	翘板开关YB-nuoli-003	1	
19	921900100004	Converter DC24V to 5V	转换器DC24V转5V	1	选装/Optional
20	271133010001	Body wiring harness (Curtis-3R08N)	车身线束(Curtis-3R08N)	1	FE3R08-10N
	271133010003	Body wiring harness (Zapi-3R08N)	车身线束(Zapi-3R08N)	1	
	271533010001	Body wiring harness (Curtis-3R12N)	车身线束(Curtis-3R12N)	1	FE3R12N
	271533010012	Body wiring harness (Zapi-3R12N)	车身线束(Zapi-3R12N)	1	
21	271533010010	Mains harness	总电源线束	1	
22	922000100005	Lights SG252 -24 v	灯SG252-24V	1	
23	920200400008	Approach switch Fi4-M12-OP6L-L70PNP	接近开关Fi4-M12-OP6L-L70PNP	1	08/10 Curtis用
	920200400007	Approach switch Fi4-M12-ON6L-L70	接近开关Fi4-M12-ON6L-L70	1	FE3R08-10N Zapi
	920200400012	Approach switch Fi5-Q18-OP6L	接近开关Fi5-Q18-OP6L	1	FE3R12N Curtis
	920200400011	Approach switch Fi4-G12-ON6L	接近开关Fi4-G12-ON6L	1	FE3R12N Zapi

24	920500100002	Speaker buzzer dJB-24b	喇叭蜂鸣器DJB-24B	1	
25	271133010002	Electronic control module (Curtis-3R08N)	电控组件(Curtis-3R08N)	1	FE3R08-10N
	271133010011	Electronic control module (Zapi-3R08N)	电控组件(Zapi-3R08N)	1	
	271533010002	Electronic control module (Curtis-3R12N)	电控组件(Curtis-3R12N)	1	FE3R12N
	271533010011	Electronic control module (Zapi-3R12N)	电控组件(Zapi-3R12N)	1	
26	271533010003	Cable - U1 - the 25-6-8-400	线缆-U1-25-6-8-400	1	
27	271533010004	Cable - V1 - the 25-6-8-400	线缆-V1-25-6-8-400	1	
28	271533010005	Cable - W1-25-6-8-400	线缆-W1-25-6-8-400	1	
29	920500100001	The horn 125 - DC24V	喇叭125-DC24V	1	
30	920201000002	Foot switch	脚踏开关	1	
31	921000200381	Charger SN24V35A(Asian Chinese)	充电器SN24V35A(亚中)	1	280Ah
	921000200382	Charger SN24V35A(Asian English)	充电器SN24V35A(亚英)	1	280Ah
	921000200383	Charger SN24V35A(Europe)	充电器SN24V35A(欧)	1	280Ah
	921000200384	Charger SN24V35A(Britain)	充电器SN24V35A(英)	1	280Ah
	921000200385	Charger SN24V35A(Australia)	充电器SN24V35A(澳)	1	280Ah
	921000200386	Charger SN24V35A(USA)	充电器SN24V35A(美)	1	280Ah
	921000200031	Charger SN24V55A(Asian Chinese)	充电器SN24V55A(亚中)	1	360、400Ah
	921000200032	Charger SN24V55A(Asian English)	充电器SN24V55A(亚英)	1	360、400Ah
	921000200033	Charger SN24V55A(Europe)	充电器SN24V55A(欧)	1	360、400Ah
	921000200034	Charger SN24V55A(Australia)	充电器SN24V55A(澳)	1	360、400Ah
	921000200035	Charger SN24V55A(Britain)	充电器SN24V55A(英)	1	360、400Ah
	921000200036	Charger SN24V55A(USA)	充电器SN24V55A(美)	1	360、400Ah
	921000200073	Charger SN24V60A(Asian Chinese)	充电器SN24V60A(亚中)	1	420、480Ah
	921000200074	Charger SN24V60A(Asian English)	充电器SN24V60A(亚英)	1	420、480Ah
921000200075	Charger SN24V60A(Europe)	充电器SN24V60A(欧)	1	420、480Ah	
31	921000200076	Charger SN24V60A(Australia)	充电器SN24V60A(澳)	1	420、480Ah
	921000200077	Charger SN24V60A(Britain)	充电器SN24V60A(英)	1	420、480Ah
	921000200078	Charger SN24V60A(USA)	充电器SN24V60A(美)	1	420、480Ah
	921000200061	Charger SN24V80A(Asian Chinese)	充电器SN24V80A(亚中)	1	540、600Ah
	921000200062	Charger SN24V80A(Asian English)	充电器SN24V80A(亚英)	1	540、600Ah
	921000200063	Charger SN24V80A(Europe)	充电器SN24V80A(欧)	1	540、600Ah
	921000200064	Charger SN24V80A(Australia)	充电器SN24V80A(澳)	1	540、600Ah
	921000200065	Charger SN24V80A(Britain)	充电器SN24V80A(英)	1	540、600Ah
921000200066	Charger SN24V80A(USA)	充电器SN24V80A(美)	1	540、600Ah	

蓄电池/Battery and bracket



序号/NO	编码/SN	Name	名称	数量/QTY	备注/Remark
1	271537010001	Battery24V-6PzS420(welding gold battery)	牵引电池24V-6PzS420(焊)(标配内销)	1	FE3R10-12N
	271537010002	Battery24V-6PzS420(Bolt gold battery)	牵引电池24V-6PzS420(螺)(标配外销)	1	FE3R10-12N
	271537010003	Battery24V-6PzS420(Welding huaju)	牵引电池24V-6PzS420(焊)	1	FE3R10-12N
	271537010004	Battery24V-6PzS420(Bolt huaju)	牵引电池24V-6PzS420(螺)	1	FE3R10-12N
	271537010005	Battery24V-6PzS480(welding gold battery)	牵引电池24V-6PzS480(焊)	1	FE3R10-12N
	271537010006	Battery24V-6PzS480(Bolt gold battery)	牵引电池24V-6PzS480(螺)	1	FE3R10-12N
	271537010007	Battery24V-6PzS480(Welding huaju)	牵引电池24V-6PzS480(焊)	1	FE3R10-12N
	271537010008	Battery24V-6PzS480(Bolt huaju)	牵引电池24V-6PzS480(螺)	1	FE3R10-12N
	271537010009	Battery24V-6PzS540(welding gold battery)	牵引电池24V-6PzS540(焊)	1	FE3R10-12N
	271537010010	Battery24V-6PzS540(Bolt gold battery)	牵引电池24V-6PzS540(螺)	1	FE3R10-12N
	271537010011	Battery24V-6PzS540(Welding huaju)	牵引电池24V-6PzS540(焊)	1	FE3R10-12N
	271537010012	Battery24V-6PzS540(Bolt huaju)	牵引电池24V-6PzS540(螺)	1	FE3R10-12N
	271537010013	Battery24V-6PzS600(welding gold battery)	牵引电池24V-6PzS600(焊)	1	FE3R10-12N
	271537010014	Battery24V-6PzS600(Bolt gold battery)	牵引电池24V-6PzS600(螺)	1	FE3R10-12N
	271537010015	Battery24V-6PzS600(Welding huaju)	牵引电池24V-6PzS600(焊)	1	FE3R10-12N
	271537010016	Battery24V-6PzS600(Bolt huaju)	牵引电池24V-6PzS600(螺)	1	FE3R10-12N
1	271137010001	Battery24V-6PzS280(welding gold battery)	牵引电池24V-6PzS280(焊)(标配内销)	1	FE3R08N
	271137010002	Battery24V-6PzS280(Bolt gold battery)	牵引电池24V-6PzS280(螺)(标配外销)	1	FE3R08N
	271137010003	Battery24V-6PzS280(Welding huaju)	牵引电池24V-6PzS280(焊)	1	FE3R08N
	271137010004	Battery24V-6PzS280(Bolt huaju)	牵引电池24V-6PzS280(螺)	1	FE3R08N
	271137010005	Battery24V-6PzS360(welding gold battery)	牵引电池24V-6PzS360(焊)	1	FE3R08N
	271137010006	Battery24V-6PzS360(Bolt gold battery)	牵引电池24V-6PzS360(螺)	1	FE3R08N
	271137010007	Battery24V-6PzS360(Welding huaju)	牵引电池24V-6PzS360(焊)	1	FE3R08N
	271137010008	Battery24V-6PzS360(Bolt huaju)	牵引电池24V-6PzS360(螺)	1	FE3R08N
	271137010009	Battery24V-6PzS420(welding gold battery)	牵引电池24V-6PzS420(焊)	1	FE3R08N
	271137010010	Battery24V-6PzS420(Bolt gold battery)	牵引电池24V-6PzS420(螺)	1	FE3R08N
	271137010011	Battery24V-6PzS420(Welding huaju)	牵引电池24V-6PzS420(焊)	1	FE3R08N
	271137010012	Battery24V-6PzS420(Bolt huaju)	牵引电池24V-6PzS420(螺)	1	FE3R08N
1	271137012101	Lithium battery 24V-200(JN-A)	锂电池24V-200(JN-A)	1	FE3R08N
	271137012102	Lithium battery 24V-250(JN-A)	锂电池24V-250(JN-A)	1	FE3R08N
	271137012103	Lithium battery 24V-300(JN-A)	锂电池24V-300(JN-A)	1	FE3R08N
1	271537012101	Lithium battery 24V-300(JN-A)	锂电池24V-300(JN-A)	1	FE3R10-12N
	271537012102	Lithium battery 24V-350(JN-A)	锂电池24V-350(JN-A)	1	FE3R10-12N
	271537012103	Lithium battery 24V-400(JN-A)	锂电池24V-400(JN-A)	1	FE3R10-12N
	271537012104	Lithium battery 24V-450(JN-A)	锂电池24V-450(JN-A)	1	FE3R10-12N
2	271512511001	Battery bracket	电池托架焊合	1	FE3R10-12N
	271112511001	Battery bracket	电池托架焊合	1	FE3R08N
3	271521511010	Roller suite	滚轮套件	1	